

Red: PAINTED ITEMS

Blue: KITS

ITEM#	S9LP/QTY.	DESCRIPTION	ITEM#	S9LP/QTY.	DESCRIPTION
01-0011	1	1/2 -13 UNC x 3 Bolt	09-4092	1	BUMPER
01-1261	2	1/2 -13 UNC x 1 Bolt	09-5030	1	FOOTPAD MOLDED BLACK
01-1271	2	1/2 -13 UNC x 1 1/4 Bolt	09-5046	4	Nitro Plus Footpad
01-1321	2	1/2 -13 UNC x 2 1/2 Bolt	09-8000	2	Belt Keeper
01-1351	1	1/2 -13 UNC x 3 1/4 Bolt	09-8018	2	GUIDE ROD BUSHING
01-1550	2	3/8 -16 UNC x 3 Bolt	09-8135	1	T-knob, Yellow 5/16-18
01-1552	3	3/8 -16 UNC x 4 Bolt	09-8146	1	SELECTOR PIN TIP
01-1564	2	1/2 -13 UNC x 4 1/2 Bolt	09-8327	1	REDIRECTIONAL PULLEY 3"
01-2190	1	5/8-11 UNC x 3 Bolt	09-8329	1	WIDE PULLEY 3" DIA
01-2289	2	5/8 -11 UNC x 10 1/4 Bolt	09-8330	1	REDIRECTIONAL PULLEY 4"
01-4035	4	1/4 -20 UNC x 1 1/4 Wiz Lock Bolt	09-9505	2	GRIP CAP 1.030 ID (FOR 1" BAR)
01-4038	2	BOLT BH , 1/2 -13 x 2 1/2"	09-9535	2	GRIP RING 1.045 ID (FOR 1" BAR)
01-4041	2	BOLT BH ,1/2 -13 x 1 1/2"	09-9590	2	TUBE INSERT .760 ID PN3043-4-1
01-4058	2	BOLT BH ,1/2 -13 x 4" ZINC	10-3070	1	Spring
02-2290	2	SCREW AFH 1/4 -20 UNC x 1 1/4"	10-4020	1	Damper Stroke 480 mm
02-3055	4	SCREW, SET, 1/4 -28 UNF x 1/4	12-1004	1	SEAT NOS BLACK 1-10 (10 AT TOP)
02-4132	4	SCREW, SET, 5/16 -18 UNC x 5/16	12-1026	1	DECAL, KEEP HANDS AWAY
02-9220	4	3/8 -16 UNC x 1 1/4 Bolt	12-1113	1	Decal - Caution High Pressure
02-9250	2	3/8 -16 UNC x 2 1/4 Bolt	12-1298	1	Position Decal
03-1035	3	3/8" Lock Nut	12-1380	1	DECAL PATENT MEDFIT MADE IN USA
03-1055	10	1/2" Nylon Insert Lock Nut-Thin	12-5611	1	Nautilus Transfer Decal - Large BLACK
03-1067	3	5/8" Lock Nut	12-6046	1	Made In USA - Seat Frames
03-2020	3	1/4" Lock Nut	12-6056	1	PLACARD & SHIELD FRONT S9LP
03-4142	2	5/16" Jam Nut	12-6073	1	PLACARD & SHIELD BACK S9CR/LP
03-5101	1	1/4" Hex Nut	12-6111	1	Decal, Parts Diagram EVO LP
03-5103	2	3/8" Hex Nut	12-7050	1	EVO Weight Selector Pin Decal
03-9075	4	1/2" Thin Black Top Lock Hex Nut	14-6087	1	Rubber Foot Plate S3LP
04-5070	6	RUBBER WEIGHT STACK BUMPER	17-1465	2	GUIDE ROD
04-5206	11	WASHER, FLAT, 3/8" SAE	17-7000	2	Top Wt Sleeve C-Weight, 3" Long
04-5207	10	WASHER, FLAT, 1/2" SAE	18-0018	1	BELT MECTROL 111" Length
04-5208	3	WASHER, FLAT, 5/8" SAE	18-0035	1	MECTROL BELT 1.25" (67")
07-4005	1	Efson PF1008	19-1235	4	Seat Roller Caps
07-5064	4	6203 RADIAL BEARING	19-1291	1	SERIAL NO. DECAL
07-8291	1	SELECTOR PIN	19-1575	1	BEARING - PILLOW BLOCK 1"
07-8344	2	IDLER PULLEY SPACER	45-1052	6	IGUS FLANGE .75 ID x .875 OD x .75L
07-8363	4	IDLER PULLEY SPACER	56-0217	1	Clamp Belt ONE
07-8982	3	STRAP CLAMP END (5/16 HOLES)	56-0429	4	Movement Arm Sleeve Spacer
07-9170	2	BALL STUD	56-0449	1	SLIDE CAP 1 1/2" SQ. (Extended)
07-9276	2	Nylon Slide - 1 1/2" Sq tube	57-0611	1	Pocket, Peel & Stick, Cardio Schematic
07-9379	1	Seat Stop	91-999	1	Paint (1.5 lbs)
07-9420	2	Sleeve	95-0471	1	Kit 2, EVO Shields
07-9421	2	Sleeve	AB600B	1	Seat Back Housing
07-9607	8	MOLDED BEARING CUP	AB601B	1	Slide Tube
07-9610	4	LINKAGE BUSHING	BF602	1	LP Weight Frame
07-9771	4	IDLER PULLEY SPACER	LK605B	1	S3LP MA
07-9820	2	Long Bearing Spacer	LK606B	1	PPLP Guide Link
07-9908	2	Pivot Shaft	LK607	1	Cam Assembly - S3LP
08-2056	2	MOLDED SHAFT SPACER	LK611	1	Seat Adjust Handle
09-1006	2	1" ID X 4 1/2 OPEN END GRIP	LK631	2	BELT CLAMP
09-1021	1	1 1/8 X 5 VINYL GRIP	MA654	1	LP Foot Pad
09-2070	1	2 X 2 11 GA FRAME PLUG	OPT-WT-29	1	EVO 480 lb Wt System
09-2090	1	2 X 3 X 11 GA FRAME PLUG	SB600	1	Adj. Seat Back
09-3055	5	2 X 4 11 GA FRAME PLUG	SE605	1	S3LP Seat Bottom Assembly
09-4077	2	BEARING 1 1/2 SQ X 3/4 ID	SF606B	1	S3LP Seat Frame
			SF608	1	Seat Slide Assembly
			UP9210	1	UPH. SEAT BOTTOM LP
			UP9931	1	BACK PAD



EVO Leg Press
S9LP

REV M

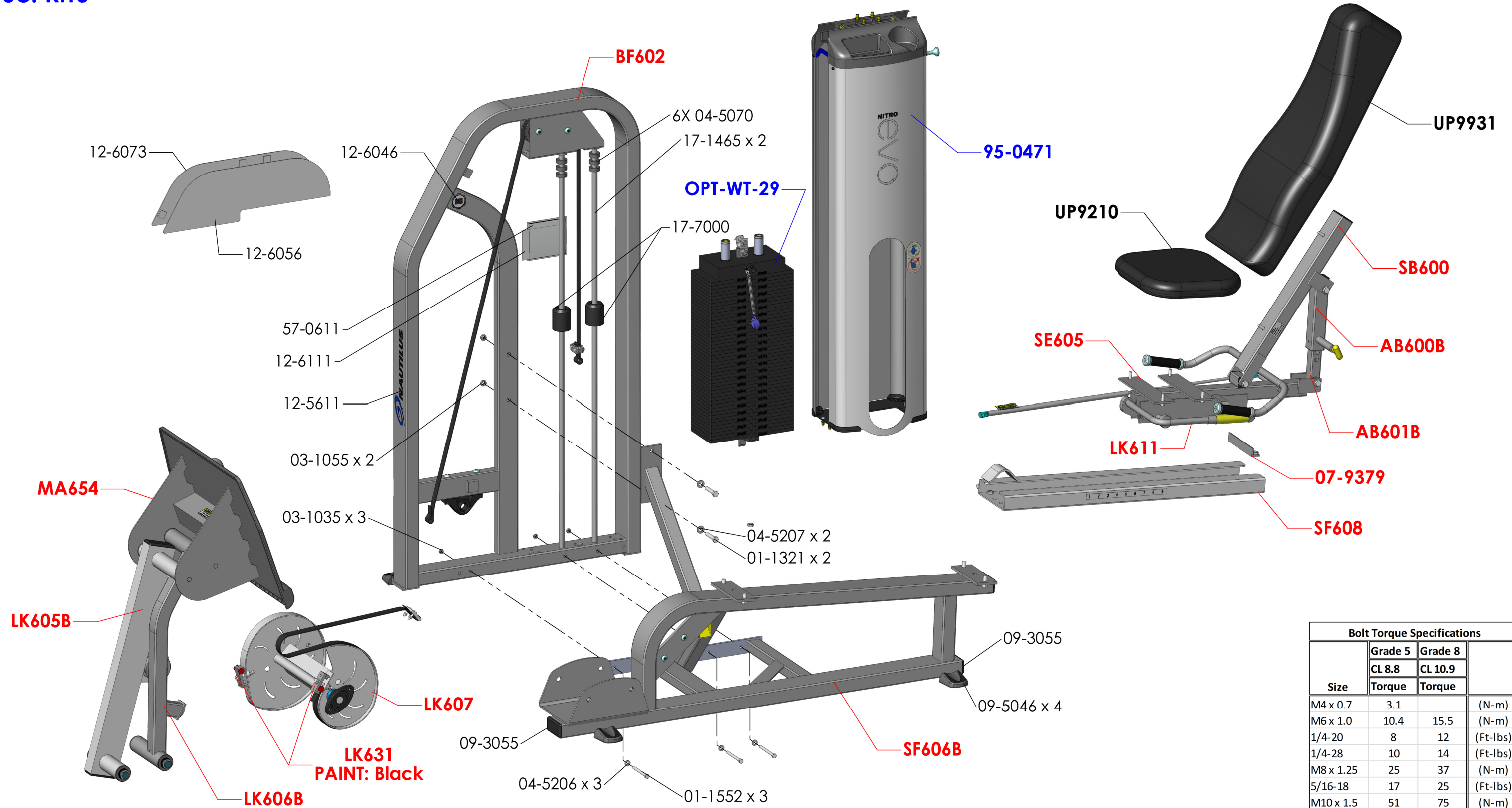
Bolt Torque Specifications			
Size	Grade 5		(N-m)
	CL 8.8	CL 10.9	
	Torque	Torque	
M4 x 0.7	3.1		(N-m)
M6 x 1.0	10.4	15.5	(N-m)
1/4-20	8	12	(Ft-lbs)
1/4-28	10	14	(Ft-lbs)
M8 x 1.25	25	37	(N-m)
5/16-18	17	25	(Ft-lbs)
M10 x 1.5	51	75	(N-m)
3/8-16	30	45	(Ft-lbs)
M12 x 1.75	140	205	(N-m)
7/16-14	50	70	(Ft-lbs)
1/2-13	75	110	(Ft-lbs)
1/2-20	90	120	(Ft-lbs)
5/8-11	150	220	(Ft-lbs)
5/8-18	180	240	(Ft-lbs)

support.nautilusstrength.com
1-800-503-1221

General Parts Requests: parts@nautiluscommercial.com
Core Health and Fitness, LLC.

Red: PAINTED ITEMS

Blue: KITS



Bolt Torque Specifications			
Size	Grade 5		
	CL 8.8	CL 10.9	
	Torque	Torque	
M4 x 0.7	3.1		(N-m)
M6 x 1.0	10.4	15.5	(N-m)
1/4-20	8	12	(Ft-lbs)
1/4-28	10	14	(Ft-lbs)
M8 x 1.25	25	37	(N-m)
5/16-18	17	25	(Ft-lbs)
M10 x 1.5	51	75	(N-m)
3/8-16	30	45	(Ft-lbs)
M12 x 1.75	140	205	(N-m)
7/16-14	50	70	(Ft-lbs)
1/2-13	75	110	(Ft-lbs)
1/2-20	90	120	(Ft-lbs)
5/8-11	150	220	(Ft-lbs)
5/8-18	180	240	(Ft-lbs)

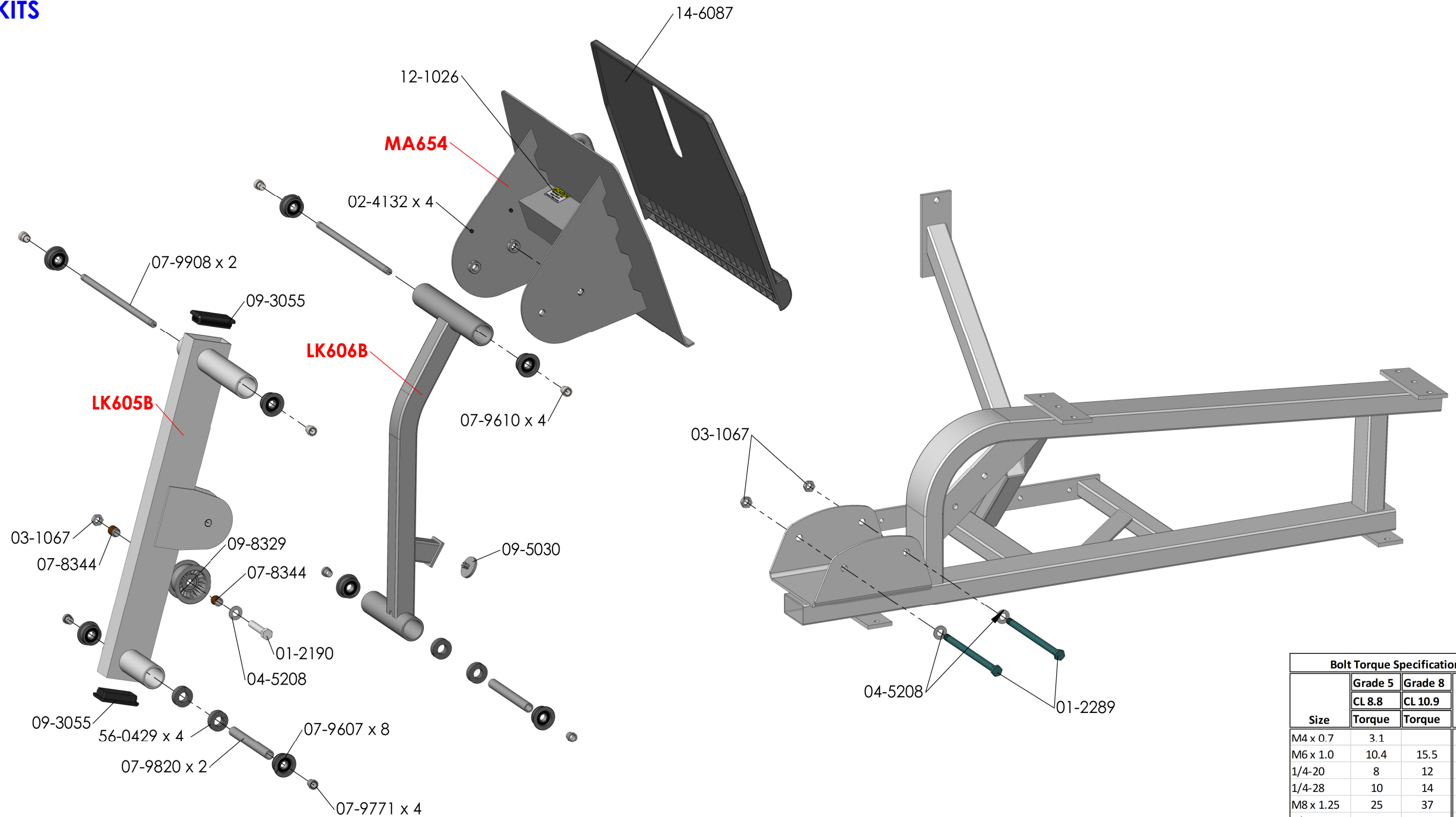
support.nautilusstrength.com
 1-800-503-1221
 General Parts Requests: parts@nautiluscommercial.com
 Core Health and Fitness, LLC.

**EVO Leg Press
 S9LP**

REV M

Red: PAINTED ITEMS

Blue: KITS



Bolt Torque Specifications			
Size	Grade 5	Grade 8	
	CL 8.8	CL 10.9	
	Torque	Torque	
M4 x 0.7	3.1		(N-m)
M6 x 1.0	10.4	15.5	(N-m)
1/4-20	8	12	(Ft-lbs)
1/4-28	10	14	(Ft-lbs)
M8 x 1.25	25	37	(N-m)
5/16-18	17	25	(Ft-lbs)
M10 x 1.5	51	75	(N-m)
3/8-16	30	45	(Ft-lbs)
M12 x 1.75	140	205	(N-m)
7/16-14	50	70	(Ft-lbs)
1/2-13	75	110	(Ft-lbs)
1/2-20	90	120	(Ft-lbs)
5/8-11	150	220	(Ft-lbs)
5/8-18	180	240	(Ft-lbs)

EVO Leg Press
S9LP

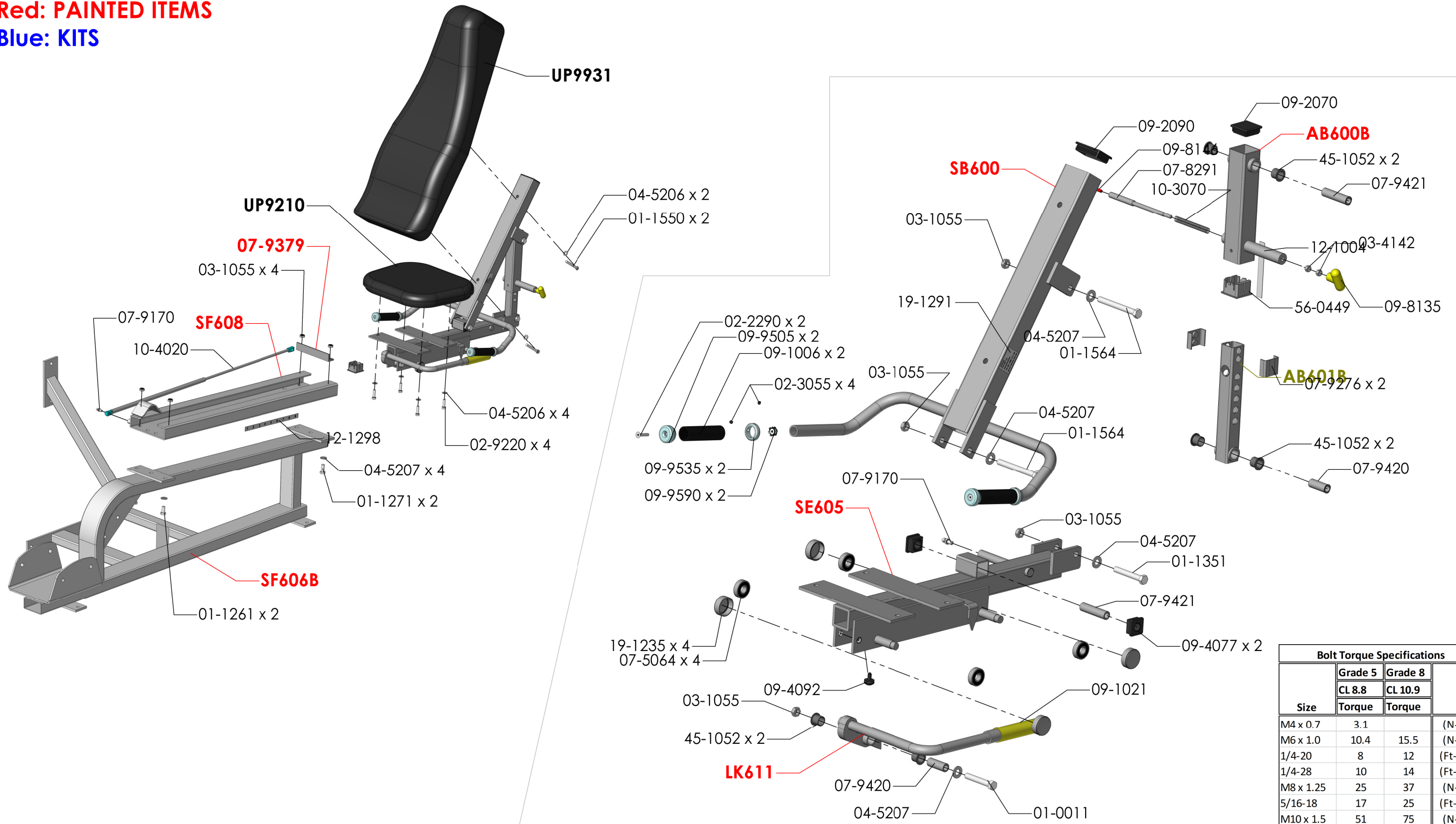
REV M

support.nautilusstrength.com
1-800-503-1221

General Parts Requests: parts@nautiluscommercial.com
Core Health and Fitness, LLC.

Red: PAINTED ITEMS

Blue: KITS



EVO Leg Press
S9LP

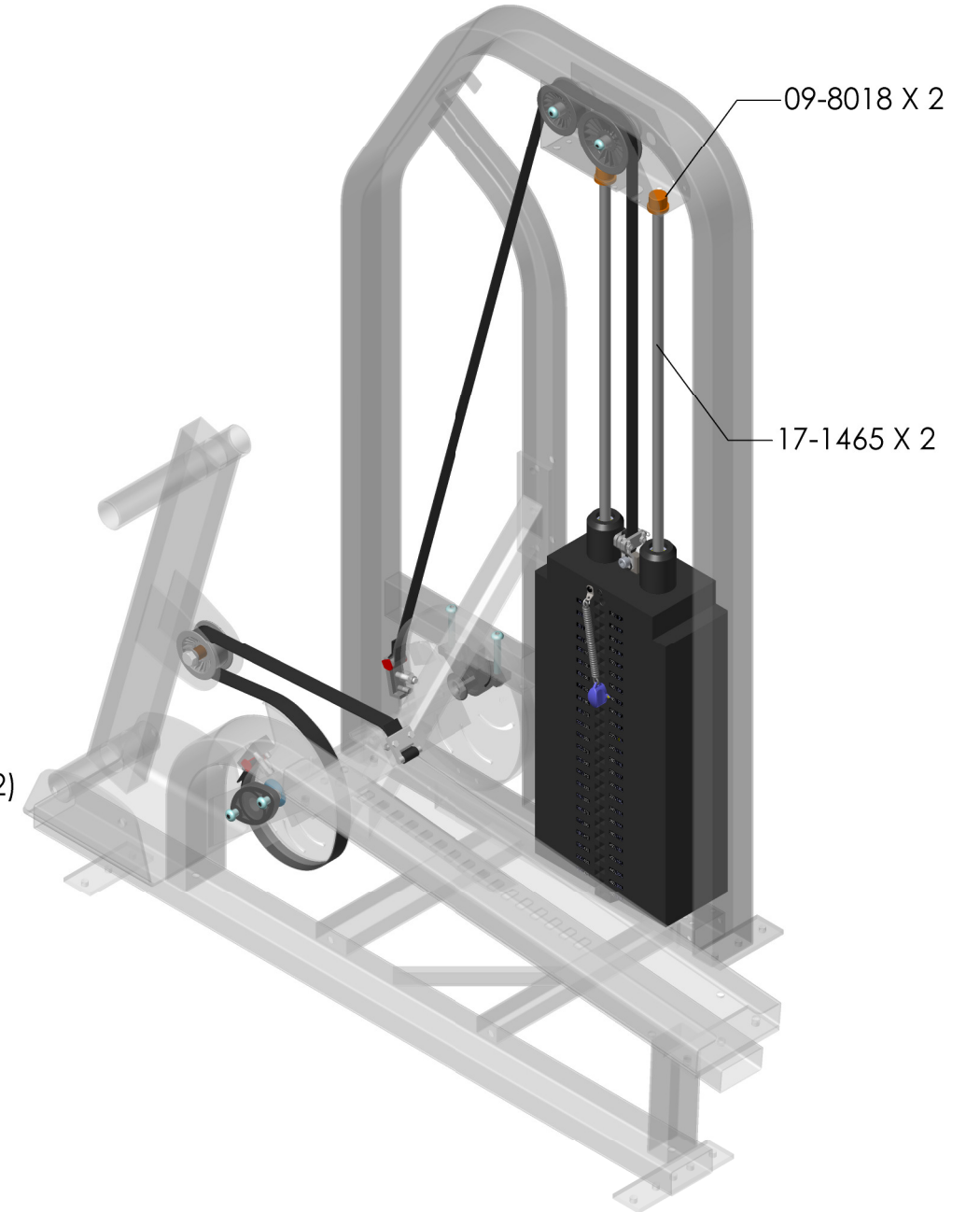
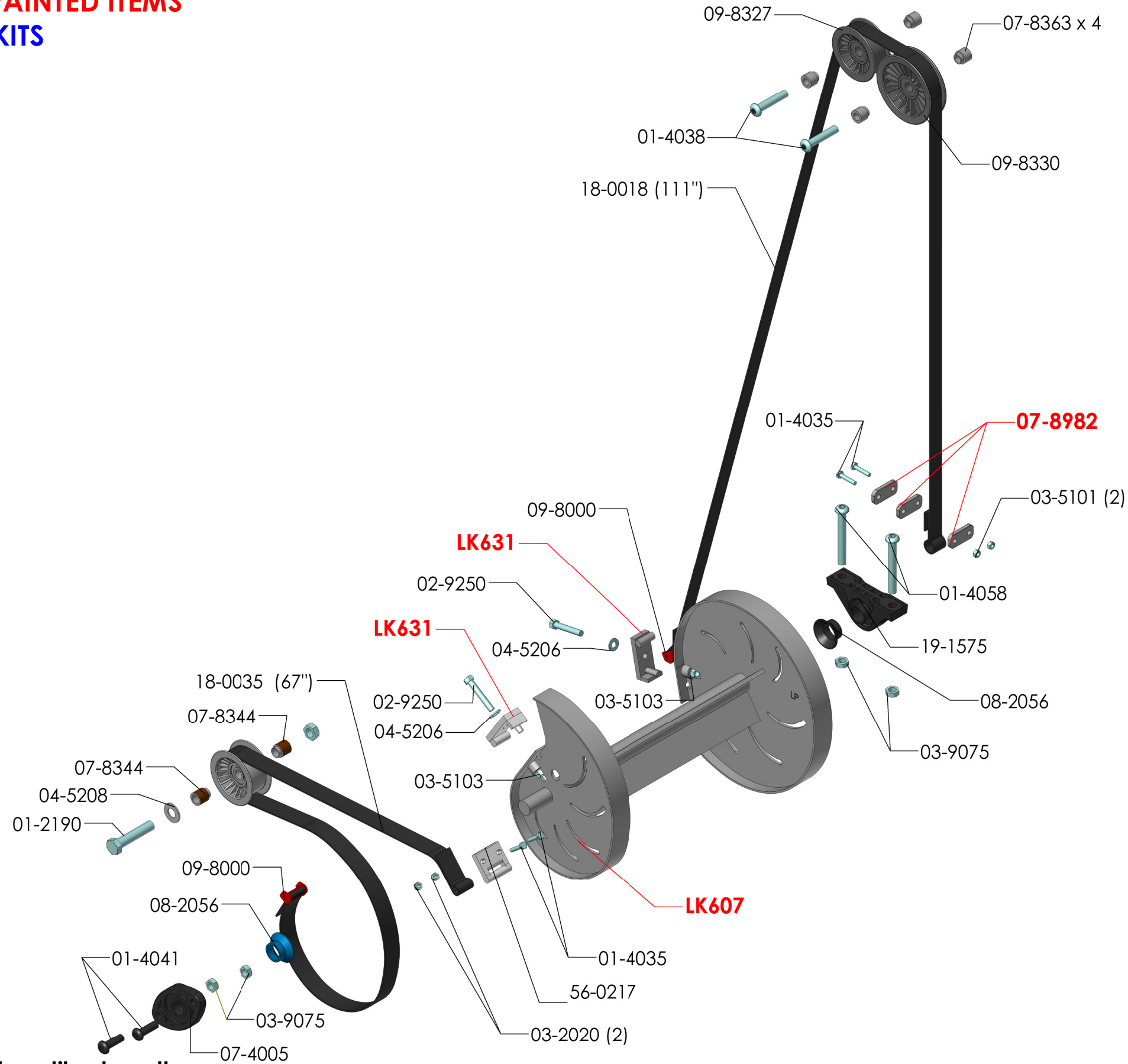
REV M

Bolt Torque Specifications			
Size	Grade 5		
	CL 8.8	CL 10.9	
	Torque	Torque	
M4 x 0.7	3.1		(N-m)
M6 x 1.0	10.4	15.5	(N-m)
1/4-20	8	12	(Ft-lbs)
1/4-28	10	14	(Ft-lbs)
M8 x 1.25	25	37	(N-m)
5/16-18	17	25	(Ft-lbs)
M10 x 1.5	51	75	(N-m)
3/8-16	30	45	(Ft-lbs)
M12 x 1.75	140	205	(N-m)
7/16-14	50	70	(Ft-lbs)
1/2-13	75	110	(Ft-lbs)
1/2-20	90	120	(Ft-lbs)
5/8-11	150	220	(Ft-lbs)
5/8-18	180	240	(Ft-lbs)

support.nautilusstrength.com
1-800-503-1221
General Parts Requests: parts@nautiluscommercial.com
Core Health and Fitness, LLC.

Red: PAINTED ITEMS

Blue: KITS



Bolt Torque Specifications			
Size	Grade 5		
	CL 8.8	CL 10.9	
	Torque	Torque	
M4 x 0.7	3.1		(N-m)
M6 x 1.0	10.4	15.5	(N-m)
1/4-20	8	12	(Ft-lbs)
1/4-28	10	14	(Ft-lbs)
M8 x 1.25	25	37	(N-m)
5/16-18	17	25	(Ft-lbs)
M10 x 1.5	51	75	(N-m)
3/8-16	30	45	(Ft-lbs)
M12 x 1.75	140	205	(N-m)
7/16-14	50	70	(Ft-lbs)
1/2-13	75	110	(Ft-lbs)
1/2-20	90	120	(Ft-lbs)
5/8-11	150	220	(Ft-lbs)
5/8-18	180	240	(Ft-lbs)

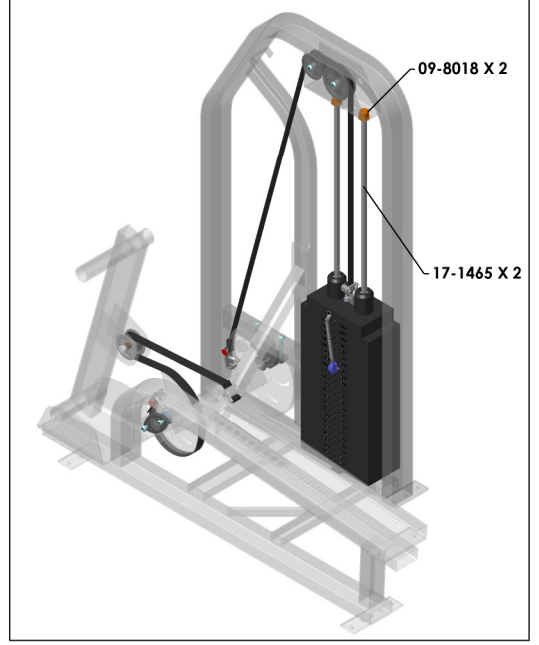
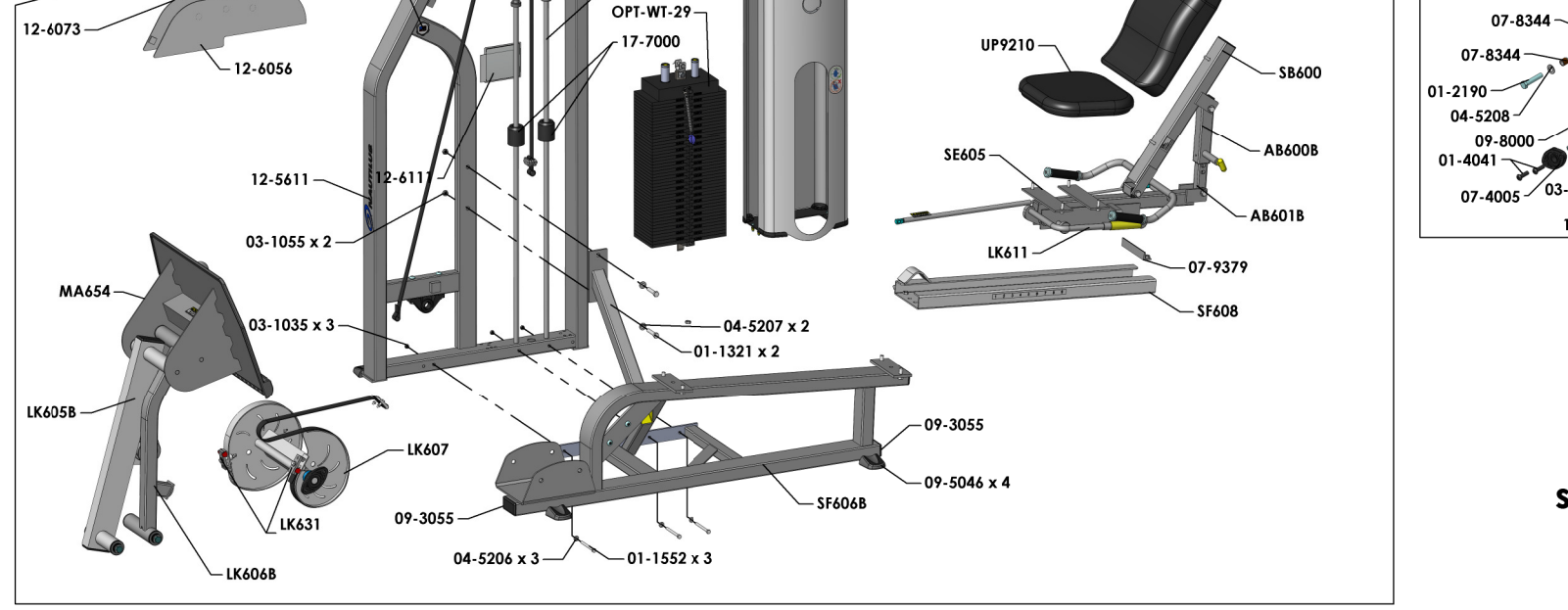
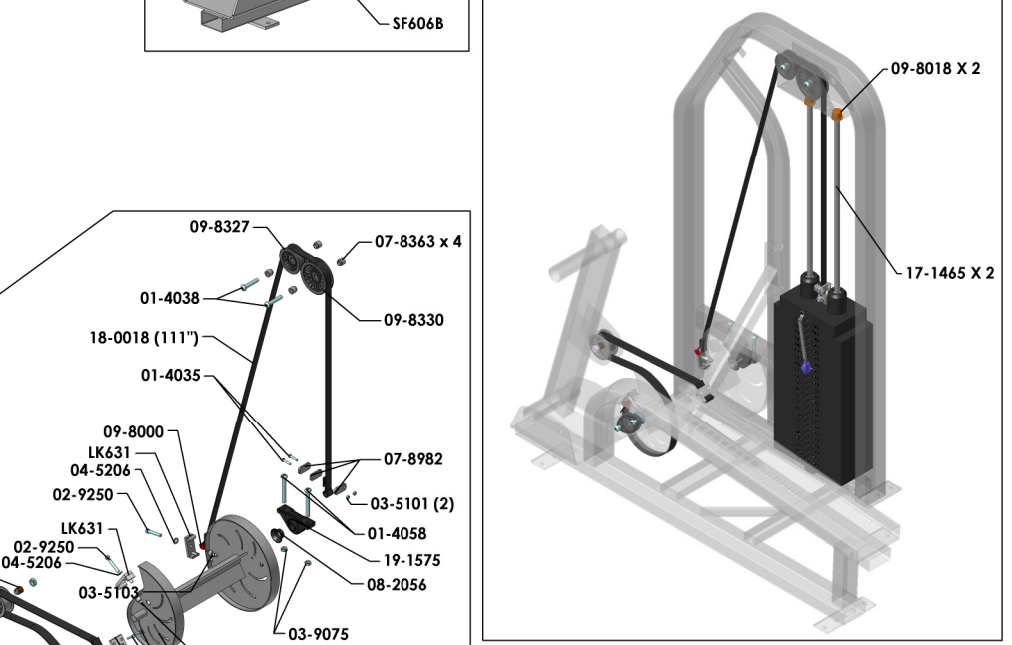
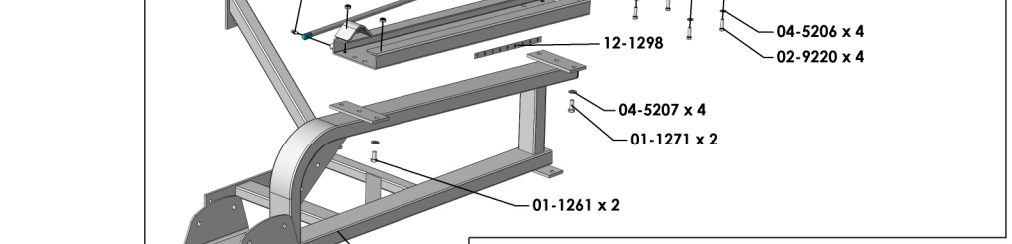
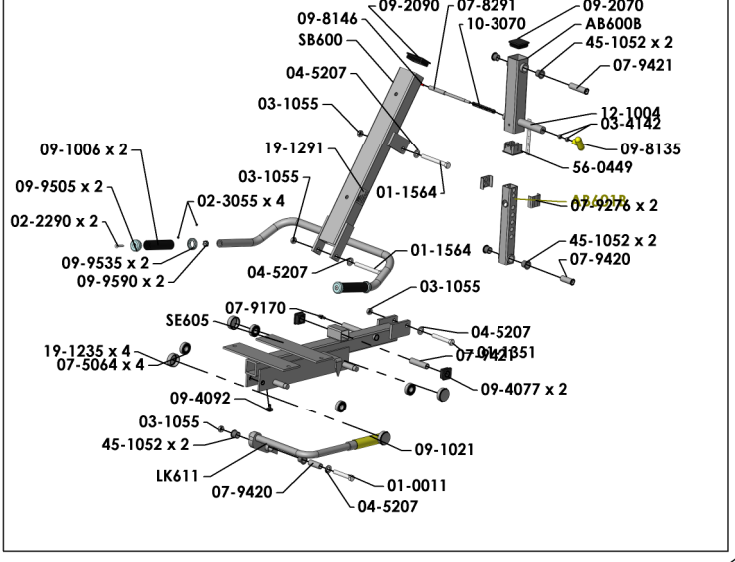
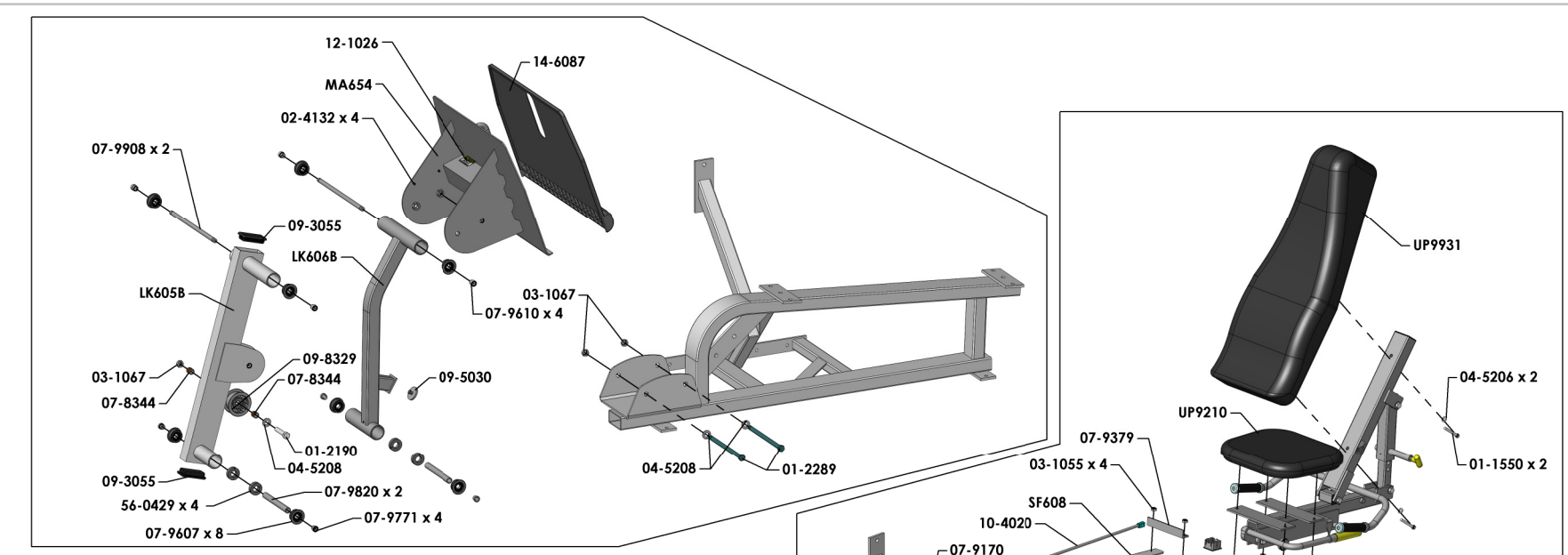
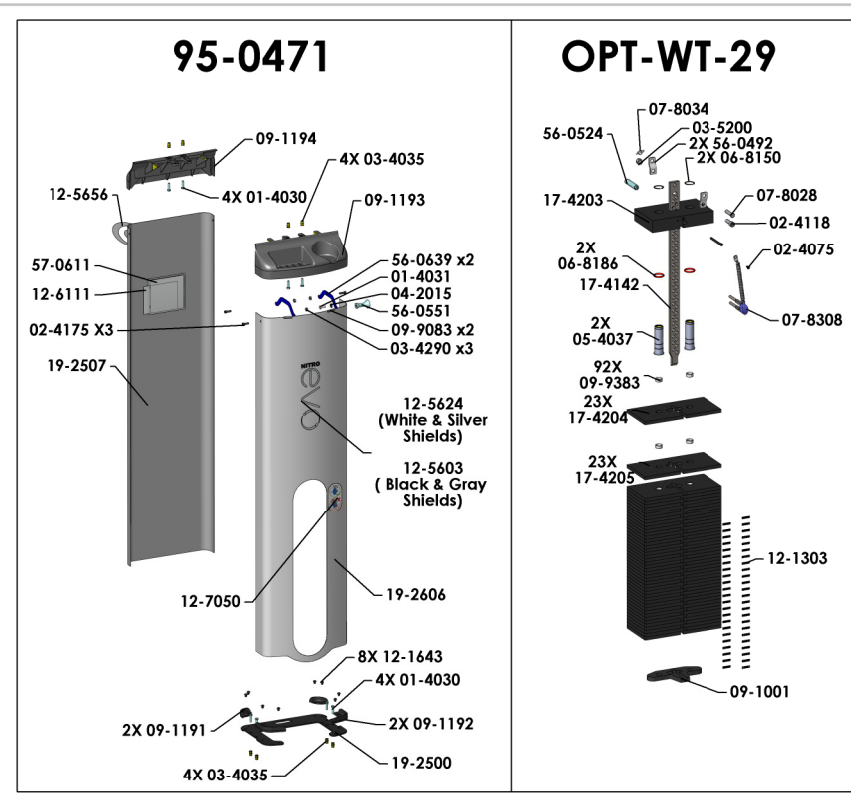
support.nautilusstrength.com
1-800-503-1221

General Parts Requests: parts@nautiluscommercial.com
 Core Health and Fitness, LLC.

EVO Leg Press
S9LP

REV M

Number	S9LP/QTY.	DESCRIPTION
01-0011	1	1/2 -13 UNC x 3 Bolt
01-1261	2	1/2 -13 UNC x 1 Bolt
01-1271	2	1/2 -13 UNC x 1 1/4 Bolt
01-1321	2	1/2 -13 UNC x 2 1/2 Bolt
01-1351	1	1/2 -13 UNC x 3 1/4 Bolt
01-1550	2	3/8 -16 UNC x 3 Bolt
01-1552	3	3/8 -16 UNC x 4 Bolt
01-1564	2	1/2 -13 UNC x 4 1/2 Bolt
01-2190	1	5/8-11 UNC x 3 Bolt
01-2289	2	5/8 -11 UNC x 10 1/4 Bolt
01-4035	4	1/4 -20 UNC x 1 1/4 WIZ Lock Bolt
01-4038	2	BOLT BH, 1/2 -13 x 2 1/2"
01-4041	2	BOLT BH, 1/2 -13 x 1 1/2"
01-4058	2	BOLT BH, 1/2 -13 x 4" ZINC
02-2290	2	SCREW AFH 1/4 -20 UNC x 1 1/4"
02-3055	4	SCREW, SET, 1/4 -28 UNF x 1/4"
02-4132	4	SCREW, SET, 5/16 -18 UNC x 5/16"
02-9220	4	3/8 -16 UNC x 1 1/4 Bolt
02-9250	2	3/8 -16 UNC x 2 1/4 Bolt
03-1035	3	3/8" Lock Nut
03-1055	10	1/2" Nylon Insert Lock Nut-Thin
03-1067	3	5/8" Lock Nut
03-2020	3	1/4" Lock Nut
03-4142	2	5/16" Jam Nut
03-5101	1	1/4" Hex Nut
03-5103	2	3/8" Hex Nut
03-9075	4	1/2" Thin Black Top Lock Hex Nut
04-5070	6	RUBBER WEIGHT STACK BUMPER
04-5206	11	WASHER, FLAT, 3/8" SAE
04-5207	10	WASHER, FLAT, 1/2" SAE
04-5208	3	WASHER, FLAT, 5/8" SAE
07-4005	1	Efson PF1008
07-5064	4	6203 RADIAL BEARING
07-8291	1	SELECTOR PIN
07-8344	2	IDLER PULLEY SPACER
07-8363	4	IDLER PULLEY SPACER
07-8982	3	STRAP CLAMP END (5/16 HOLES)
07-9170	2	BALL STUD
07-9276	2	Nylon Slide - 1 1/2" Sq tube
07-9379	1	Seat Stop
07-9420	2	Sleeve
07-9421	2	Sleeve
07-9607	8	MOLDED BEARING CUP
07-9610	4	LINKAGE BUSHING
07-9771	4	IDLER PULLEY SPACER
07-9820	2	Long Bearing Spacer
07-9908	2	Pivot Shaft
08-2056	2	MOLDED SHAFT SPACER
09-1006	2	1" ID X 4 1/2 OPEN END GRIP
09-1021	1	1 1/8 X 5 VINYL GRIP
09-2070	1	2 X 2 11 GA FRAME PLUG
09-2090	1	2 X 3 X 11 GA FRAME PLUG
09-3055	5	2 X 4 11 GA FRAME PLUG
09-4077	2	BEARING 1 1/2 SQ X 3/4 ID
09-4092	1	BUMPER
09-5030	1	FOOTPAD MOLDED BLACK
09-5046	4	Nitro Plus Footpad
09-8000	2	Belt Keeper
09-8018	2	GUIDE ROD BUSHING
09-8135	1	T-knob, Yellow 5/16-18
09-8146	1	SELECTOR PIN TIP
09-8327	1	REDIRECTIONAL PULLEY 3"
09-8329	1	WIDE PULLEY 3" DIA
09-8330	1	REDIRECTIONAL PULLEY 4"
09-9505	2	GRIP CAP 1.030 ID (FOR 1" BAR)
09-9535	2	GRIP RING 1.045 ID (FOR 1" BAR)
09-9590	2	TUBE INSERT .760 ID PN3043-4-1
10-3070	1	Spring
10-4020	1	Damper Stroke 480 mm
12-1004	1	SEAT NOS BLACK 1-10 (10 AT TOP)
12-1026	1	DECAL, KEEP HANDS AWAY
12-1113	1	Decal - Caution High Pressure
12-1298	1	Position Decal
12-1380	1	DECAL PATENT MEDFIT MADE IN USA
12-5611	1	Nautilus Transfer Decal - Large BLACK
12-6046	1	Made In USA - Seat Frames
12-6056	1	PLACARD & SHIELD FRONT S9LP
12-6073	1	PLACARD & SHIELD BACK S9CR/LP
12-6111	1	Decal, Parts Diagram EVO LP
12-7050	1	EVO Weight Selector Pin Decal
14-6087	1	Rubber Foot Plate S3LP
17-1465	2	GUIDE ROD
17-7000	2	Top Wt Sleeve C-Weight, 3" Long
18-0018 (111")	1	BELT MECTROL 111" Length
18-0035 (67")	1	MECTROL BELT 1.25" (67")
19-1235	4	Seat Roller Caps
19-1291	1	SERIAL NO. DECAL
19-1575	1	BEARING - PILLOW BLOCK 1"
45-1052	6	IGUS FLANGE .75 ID x .875 OD x .75L
56-0217	1	Clamp Belt ONE
56-0429	4	Movement Arm Sleeve Spacer
56-0449	1	SLIDE CAP 1 1/2" SQ, (Extended)
57-0611	1	Pocket, Peel & Stick, Cardio Schematic
91-999	1	Paint (1.5 lbs)
95-0471	1	Kit 2, EVO Shields
AB600B	1	Seat Back Housing
AB601B	1	Slide Tube
BF602	1	LP Weight Frame
LK605B	1	S3LP MA
LK606B	1	PPLP Guide Link
LK607	1	Cam Assembly - S3LP
LK611	1	Seat Adjust Handle
LK631	2	BELT CLAMP
MA654	1	LP Foot Pad
OPT-WT-29	1	EVO 480 lb Wt System
SB600	1	Adj. Seat Back
SE605	1	S3LP Seat Bottom Assembly
SF606B	1	S3LP Seat Frame
SF608	1	Seat Slide Assembly
UP9210	1	UPH. SEAT BOTTOM LP
UP9931	1	BACK PAD



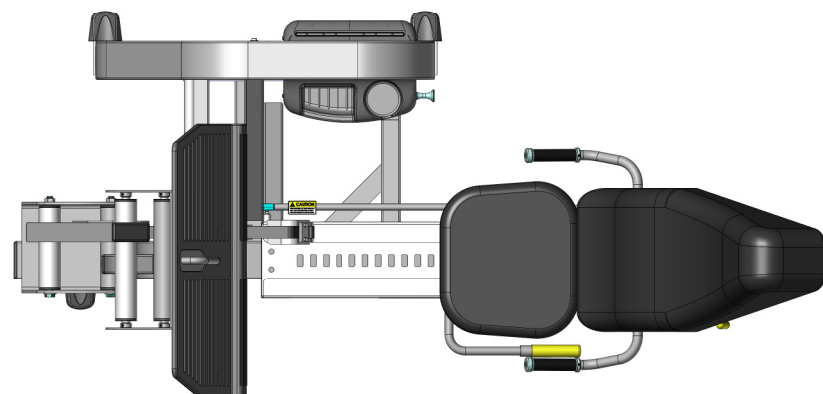
EVO Leg Press S9LP

support.nautilusstrength.com
 1-800-503-1221
 General Parts Requests: parts@nautiluscommercial.com
 Core Health and Fitness, LLC.

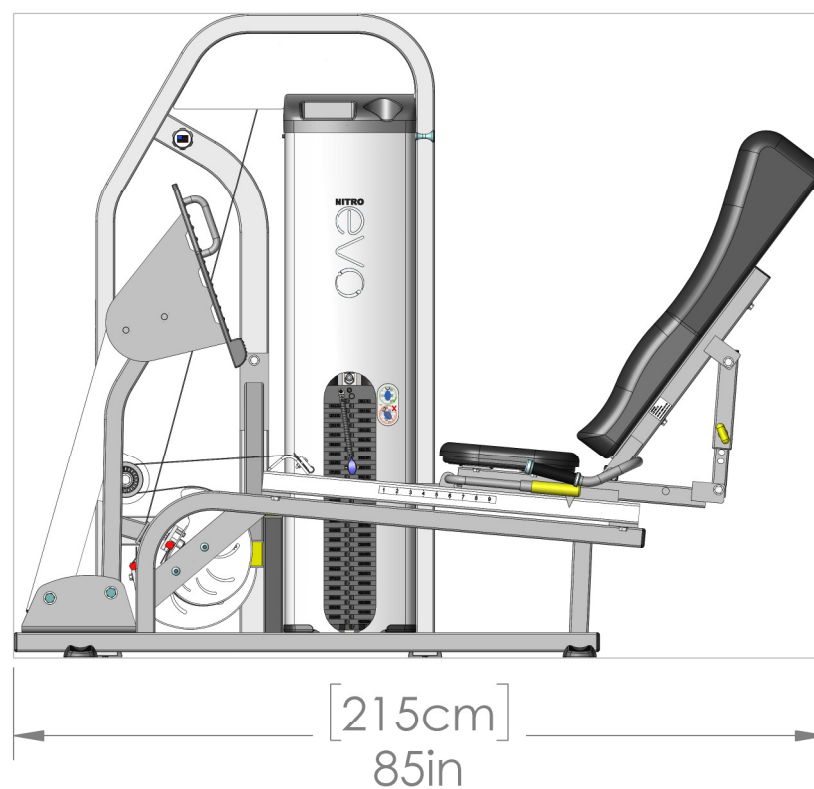
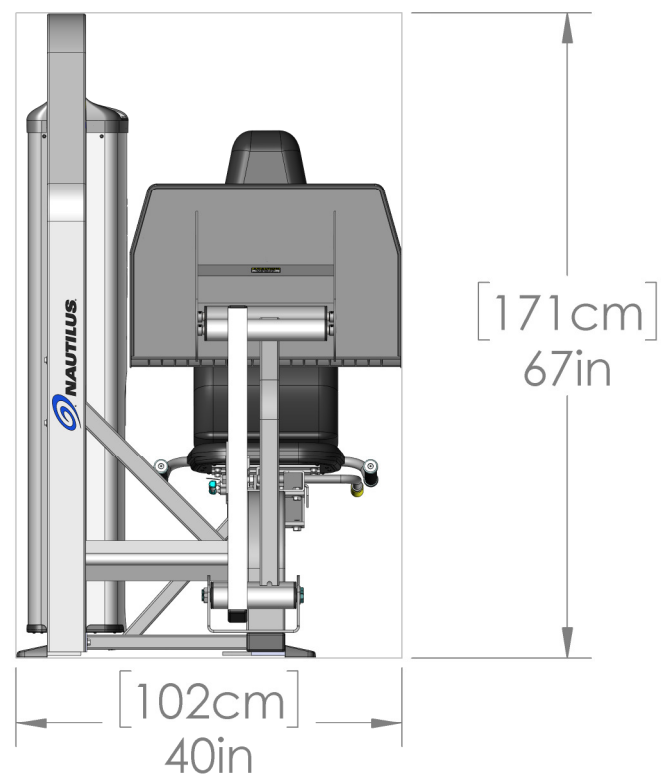
Size	Bolt Torque Specifications		(N-m)
	Grade 5	Grade 8	
	CL 8.8	CL 10.9	
M4 x 0.7	3.1		(N-m)
M6 x 1.0	10.4	15.5	(N-m)
1/4-20	8	12	(Ft-lbs)
1/4-28	10	14	(Ft-lbs)
M8 x 1.25	25	37	(N-m)
5/16-18	17	25	(Ft-lbs)
M10 x 1.5	51	75	(N-m)
3/8-16	30	45	(Ft-lbs)
M12 x 1.75	140	205	(N-m)
7/16-14	50	70	(Ft-lbs)
1/2-13	75	110	(Ft-lbs)
1/2-20	90	120	(Ft-lbs)
5/8-11	150	220	(Ft-lbs)
5/8-18	180	240	(Ft-lbs)

Red: PAINTED ITEMS

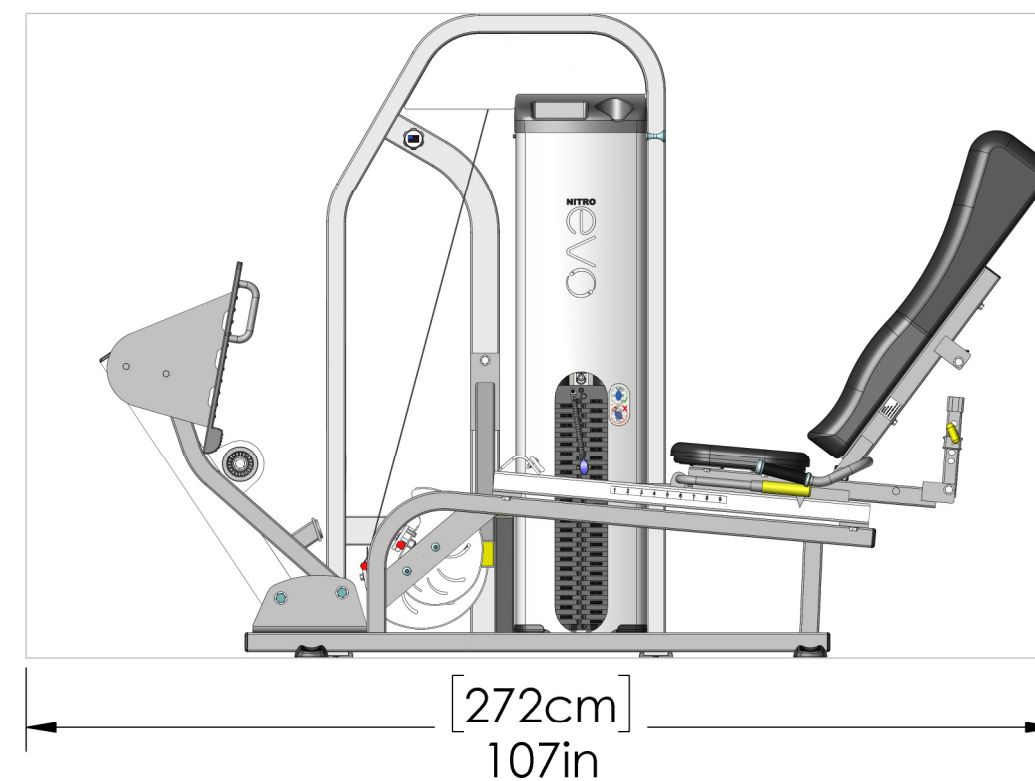
Blue: KITS



9/20/2012	S9LP
Units	Weight
lbs	981
kg	445



Length with Seat
in Position # 15 (rear)



Maximum Length
with Seat in Position #15 (rear)
and Movement Arm Fully Extended

support.nautilusstrength.com
1-800-503-1221

General Parts Requests: parts@nautiluscommercial.com
Core Health and Fitness, LLC.

EVO Leg Press
S9LP

REV M